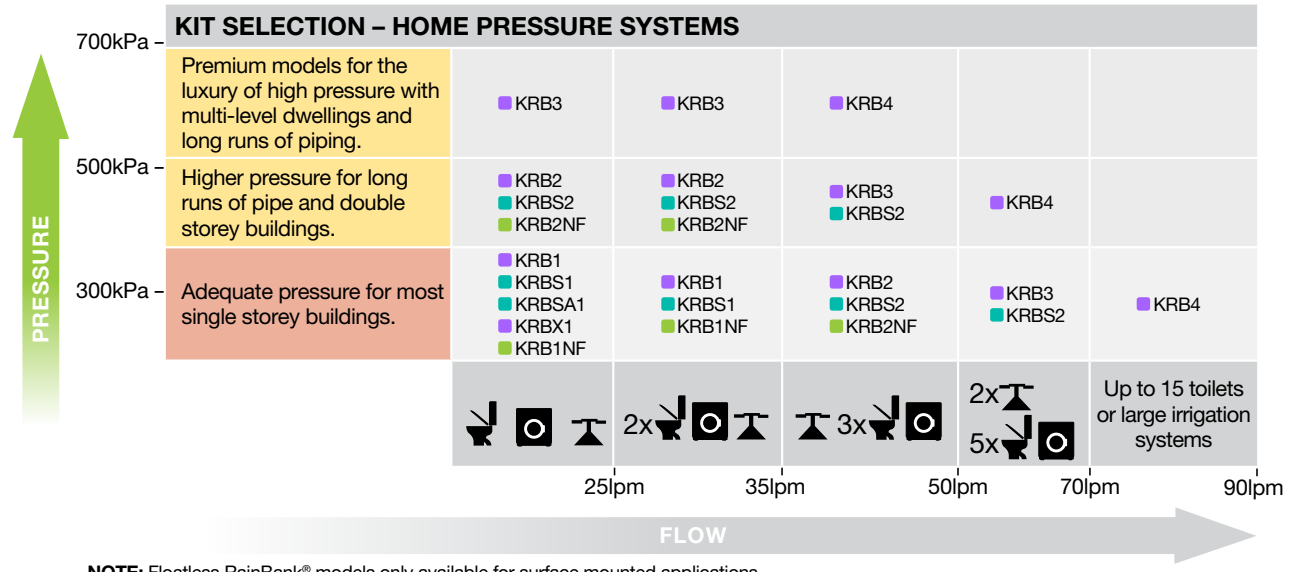


Select the right kit for your home



	RainBank® Model	Pump Model	Float Type	Flow Rate @200kPa	Higher Pressure	Higher Flows
	Surface Mounted – Floatless					
	KRB1NF	HP45-05	Floatless	40 lpm	✗	✗
	KRB2NF	HS50-06	Floatless	46 lpm	✓	✓
	Surface Mounted – Top Entry					
	KRBX1	SJ35-04	Top Entry	25 lpm	✗	✗
	KRB1	HP45-05	Top Entry	40 lpm	✗	✗
	KRB2	HS50-06	Top Entry	46 lpm	✓	✓
	KRB3	HM60-08*	Top Entry	60 lpm	✓	✓
	KRB4	HM90-13*	Top Entry	80 lpm	✓	✓
	Surface Mounted – Side Entry					
	KRBX1F	SJ35-04	Side Entry	25 lpm	✗	✗
	KRB1F	HP45-05	Side Entry	40 lpm	✗	✗
	KRB2F	HS50-06	Side Entry	46 lpm	✓	✓
Submersible						
KRBSA1	D23A/B	Submersible Float	10 lpm	✗	✗	
KRBS1	D42A/B	Submersible Float	40 lpm	✗	✗	
KRBS2	D53A/B	Submersible Float	63 lpm	✓	✓	

NOTE: HM models are suited to flooded suction applications

Tested in compliance with AS/NZS 4020 for use in contact with safe drinking water

RainBank® Controller Technical Information

OPERATING LIMITS	
Maximum flow rate (mains)	100 lpm
Maximum flow rate (pump)	100 lpm
Maximum mains water pressure	900 kPa
Maximum pump pressure	600 kPa
Maximum pump amps	10 amps
Level switch voltage	12 volts DC
Maximum water temperature continuous	50°C
Minimum water temperature	1°C
Maximum ambient temperature	50°C
Mains water inlet size	3/4" BSP(M)
Rainwater inlet size	1" BSP(M)
Outlet size	3/4" BSP(M)

NOTE: RainBank®/S model specifically designed for submersible pumps fitted with auto float switch.

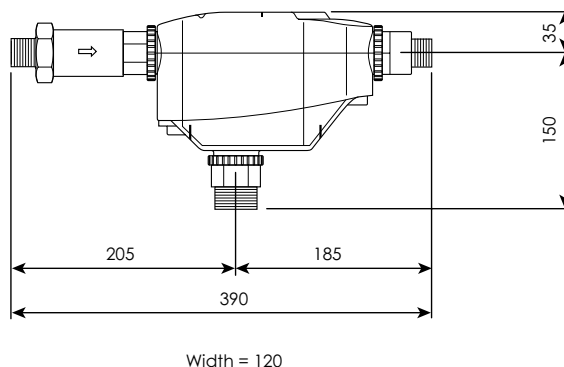
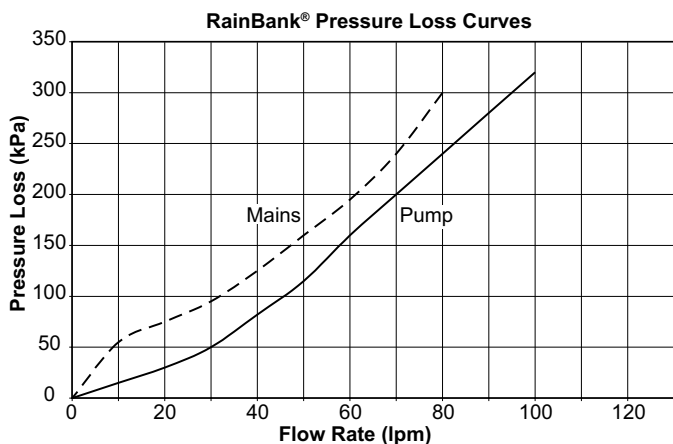
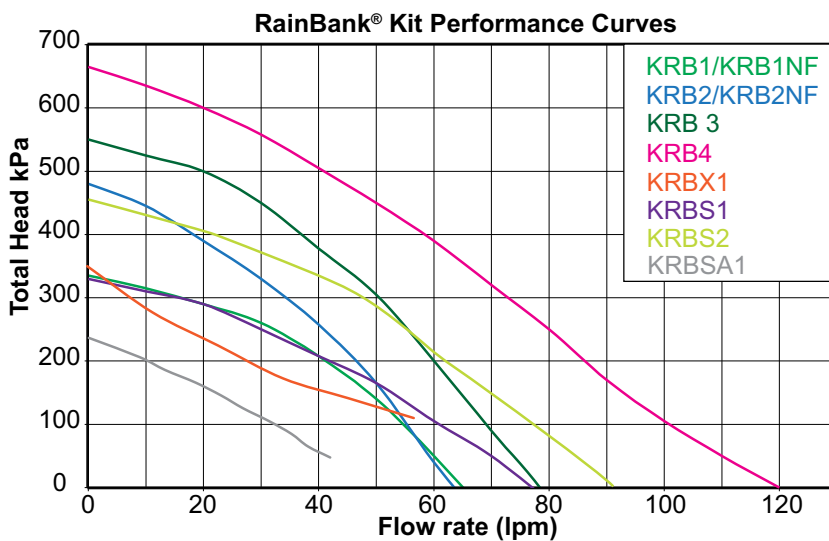
ELECTRICAL DATA	
Supply voltage	220-250V
Supply frequency	50Hz
Max. full load current	10A
Enclosure class	IP23
Power supply lead – incoming	2m
Level switch lead length:	
Side entry	5m
Top entry	9m

NOTE: Refer to relevant pump datasheets for technical pump data

MATERIALS OF CONSTRUCTION	
Part	Material
Dual check valve	
Body	D.R. brass
Valves	Acetal
Springs	304 stainless steel
Source control valve	
Body	Nylon
Valves	Acetal
Plunger	Grivory
Diaphragm	Santoprene
Springs	316 stainless steel
Seal	Nitrile
Sensor plate	316 stainless steel
Enclosure	A.B.S.

APPROVALS
Complies with electrical standards: AS/NZS60335.2.41: 2004 Clause 24
Certificate of electrical suitability: A/10E
Complies with plumbing standards: AS/NZS3500-1-2003 including provision of backflow protection when installed in compliance with product Installation & Operating Instructions.
Watermark License WMKA22042 .
Must be installed by a licensed plumber.

HYDRAULIC PERFORMANCE & DIMENSIONS (mm)



NOTE: Optional bracket available on request. P/N 32556



This literature is not a complete guide to product usage. All images provided in this document are for illustration purposes only. Further information is available from your Davey Dealer, Davey Support Centre and from the relevant product Installation and Operating Instructions. Must be read in conjunction with the relevant product Installation and Operating Instructions and all applicable statutory requirements. Product specifications may change without notice. © Davey is a registered trademark of Davey Water Products Pty Ltd. © Davey Water Products Pty Ltd 2016.